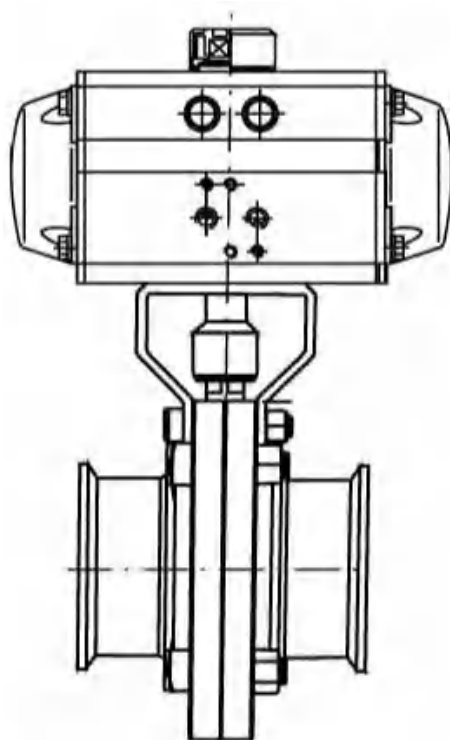


STANDARD SPECIFICATION

CHUANHU

气动卫生级蝶阀

**Pneumatic Sanitary
Butterfly valve**



上海川沪阀门有限公司

ShangHai Chuanhu Valve CO.,LTD

概述

卫生级蝶阀采用标准电子抛光，光滑表面确保清洁，无介质积存区域，不会产生潜在的污染。卫生级蝶阀广泛应用于如食品、制药、化妆品、洁净蒸汽、酒类、饮料、生化工业过程控制场合。

GENERAL

Sanitary butterfly valve uses standard electronic polishing, ensure a clean smooth surface, no media accumulation area, no potential contamination. Sanitary butterfly valve widely used as food, pharmaceutical, cosmetics, clean steam, wine, beverage, chemical and biological industrial process control applications.

标准规格 STANDARD SPECIFICATION

公称通径 Body size	DN20~150
公称压力 Body ratings	PN 0.6,1.0, 1.6 MPa
尺寸标准 Dimension standard	国标、GB
阀体材质 Body material	不锈钢 Stainless steel(CF8, CF8M, CF3, CF3M)
阀座材质 Seat material	橡胶 (X)、聚四氟乙烯 (F) X, PTFE
作用方式 Mode of action	双作用、单作用 (弹簧复位) Double-acting/Single-acting type(spring reposition)
控制方式 Control	开关型、调节型 Switch type, Adjust type
附件选择 Selection of Accessories	电磁阀、定位器、限位开关、气源三联件、手动机构 Solenoid valve, Locator, Limit switch, F.R.L. COMBINATION UNIT, Manual Device

设计依据 Design Basis	GB 标准 Standard
设计标准 Design standard	GB/T2238-1989
试验和检验 Test & inspection	J B/T9092

※注：系列蝶阀结构长度及连接法兰尺寸可根据用户要求设计制造。

Note: The structural length and connecting flange size of butterfly valve series can be designed and manufactured as per users' requirements



WD621X
外螺纹连接
Outside Thread
Connection



WD661X
对焊连接
Welding Connection

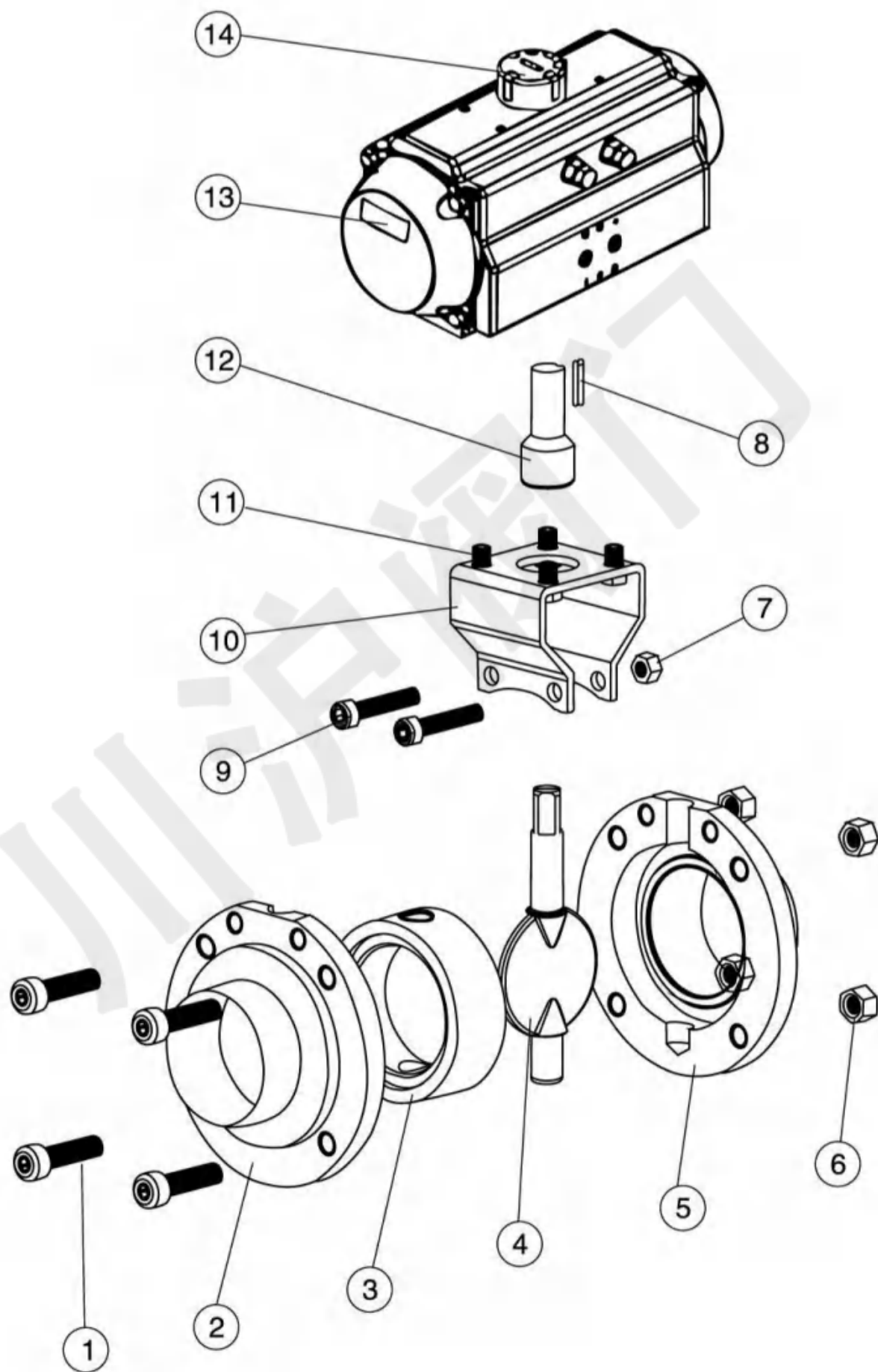


WD681X
卡箍连接
Hoop Connection



WD676X
三片式焊接
3PC welding

结构图和零件材质表 STRUCTURE AND MAIN MATERIAL TABLE

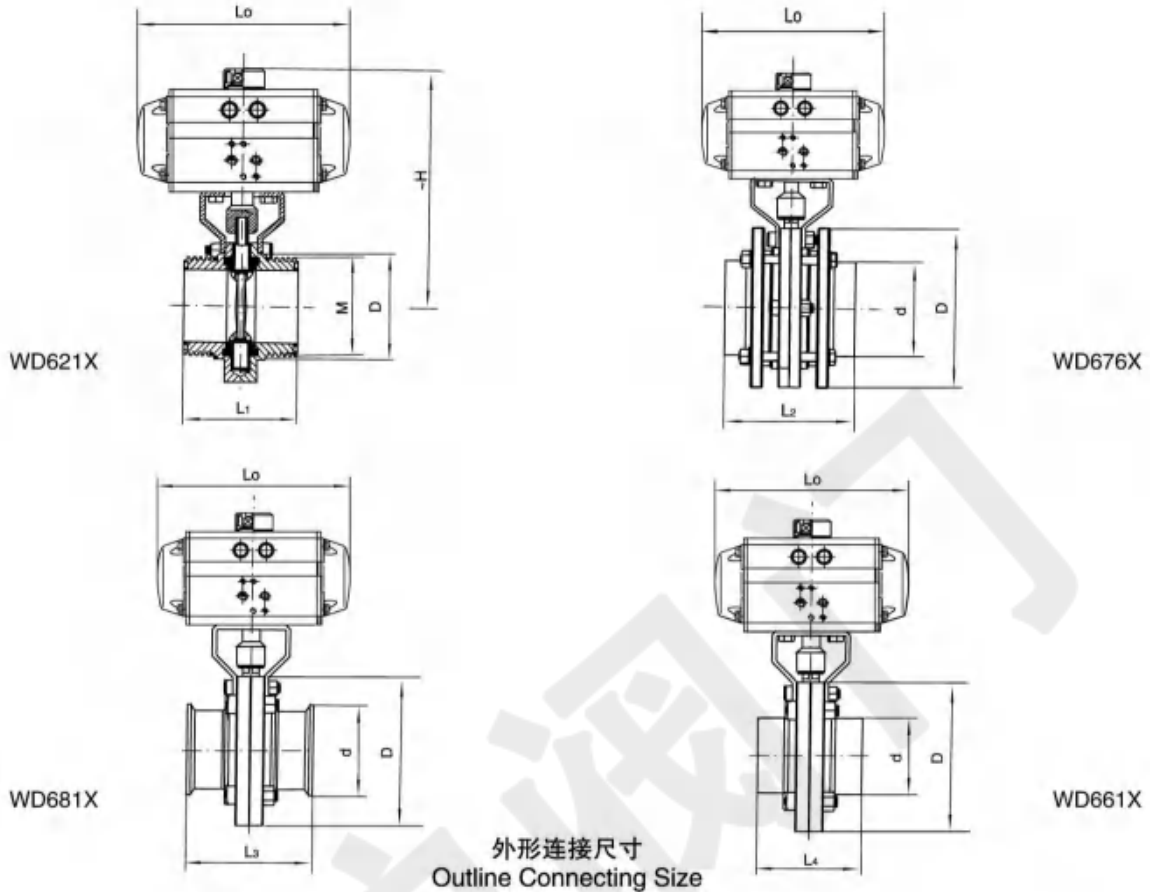


序号 No.	零件名称 Name of parts	材质 Material
1	螺栓 Screw	不锈钢 304 Stainless Steel 304
2	左阀体 Left Valve	不锈钢 304. 304L. 316. 316L Stainless Steel 304. 304L. 316. 316L
3	阀座 Seat	食品级橡胶 Food grade rubber
4	蝶板 Butterfly Plate	不锈钢 304. 304L. 316. 316L Stainless Steel 304. 304L. 316. 316L
5	右阀体 Right Valve	不锈钢 304. 304L. 316. 316L Stainless Steel 304. 304L. 316. 316L
6	螺母 Nut	不锈钢 304 Stainless Steel 304
7	螺母 Nut	不锈钢 304 Stainless Steel 304
8	键 Key	不锈钢 304 Stainless Steel 304
9	螺栓 Screw	不锈钢 304 Stainless Steel 304
10	连接支架 Connecting Yoke	不锈钢 304 Stainless Steel 304
11	螺栓 Screw	不锈钢 304 Stainless Steel 304
12	连接套 Connection set	不锈钢 304 Stainless Steel 304
13	气动装置 Pneumatic Device	AT 系列气动执行器 AT Pneumatic actuator Series
14	位置指示器 Location Indicator	塑料 Plastic

※注：系列蝶阀主要零部件及密封圈的材质可根据实际工况条件或用户特殊要求设计选用。

Note: The main spare parts and sealing ring material of butterfly valve can be designed for you options according to real working conditions or user's special requirements.

主要外形及连接法兰尺寸 MAIN OUTLINE AND CONNECTING FLANGE SIZE



PN10 (1.0MPa) Dimension

规格	WD621X			WD676X			WD681X			WD661X			Lo	—H	执行器型号 Actuator Model
	L1	D	M	L2	D	D	L3	D	d	L4	D	d			
20				100	78	19.05	66	78	50.5	66	78	19.05	141/1 41	157/557	AT050D/AT050S
25	66	78	40x1/6	100	78	25.4	66	78	50.5	66	78	25.4	141/1 41	157/557	AT050D/AT050S
32	66	78	48x1/6	100	78	31.8	66	78	50.5	66	78	31.8	141/141	157/557	AT050D/AT050S
38	70	86	60x1/6	100	86	38.1	70	86	50.58	70	86	38.1	141/141	157/557	AT050D/AT050S
51	76	102	70x1/6	104	102	50.8	76	102	64	76	102	50.8	141/159	171/180	AT050D/AT063S
63	80	115	85x1/6	112	115	63.5	80	115	77.5	80	115	63.5	141/159	169/169	AT063D/AT063S
76	84	128	98x1/6	112	128	76.1	84	128	91	84	128	76.1	15 9/211	194/208	AT063D/AT075S
89				120	139	88.9	90	139	106	90	139	88.9	159/248	200/224	AT063D/AT088S
102	104	159	132x1/6	128	155	101.6	102	155	119	102	155	101.6	211/248	220/242	AT075D/AT088S
108				128	159	108	108	159	119	108	159	108	211/269	223/245	AT075D/AT100S

订货须知 ORDERING INFORMATION

代号 Code	材料 Material	适用温度(°C) Applicable Temperature
H	合金钢 304、316 Alloy Steel 304,31 6	-30—425
F	增强聚四氟乙烯 Reinforced Polyterafluoroethylene (PTFE)	-40—150
X	丁腈橡胶 Buna-N Rubber	-12~82
	乙丙橡胶 Ethylene-propylene Rubber	-35—110
	食品级乙丙胶 Food Ethylene-propylene Rubber	-35—110
	氟橡胶 Fluorous rubber	-12~135
J	全衬里丁腈橡胶 Full-lining Buna-N Rubber	-12—82
F4	全衬里聚四氟乙烯 Full-lining polyteafluoroethylene (PTFE)	-40—160

根据不同控制和要求可选择下列附件：

切断型附件：单电控电磁阀、双电控制电磁阀、限位开关回讯器。

调节型附件：电-气定位器、电气转换器。

气源处理附件：空气过滤减压阀、气源处理三联件。

手动机构：XLHJ 系列

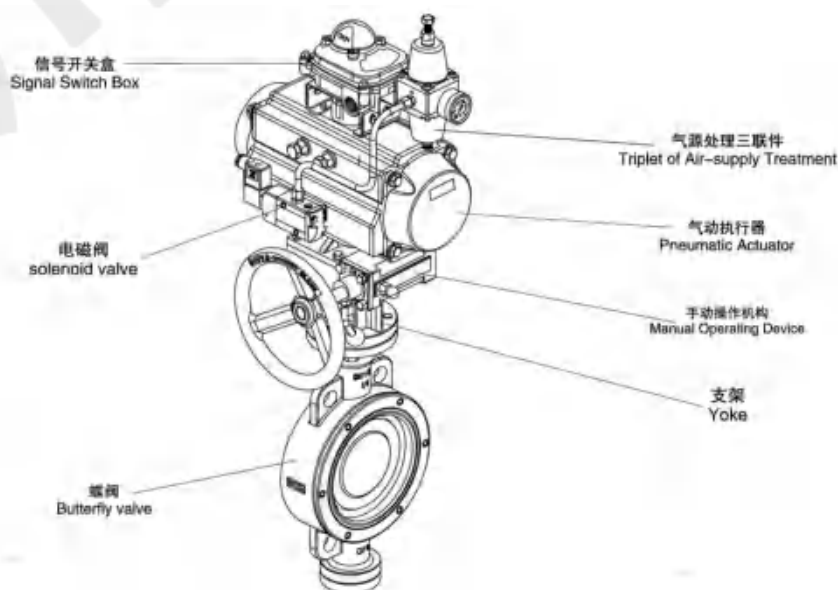
According to the different control and the request can choose the following accessories:

Shut-off Accessories: Single electrically-controlled magnetic valve. Double electrically-controlled Solenoid valve. signal saver of limit switch

Adjusting Accessories: EP/PP-positioner. electric-pneumatic converter.

Air-supply Treatment Accessories: air-filtering reducing valve. F.R.L. COMBINATION UNIT.

Manual Device: XLHJ Series





上海川沪阀门有限公司
SHANGHAI CHUANHU VALVE CO., LTD

地址：上海市奉贤区金汇工业园金碧路 358 号

电话：86-021-5186 3046

传真：86-021-5186 3049

邮箱：chvalve@126.com

邮编：210404

网址：<http://www.chuanhuvalve.com>

Add: Shanghai Fengxian District Jinhui Industrial Garden Jinbi Road No. 358

Tel: 86-021-5186 3046

Fax: 86-021-5186 3049

Mail: chvalve@126.com

Code: 210404

Website: <http://www.chuanhuvalve.com>

